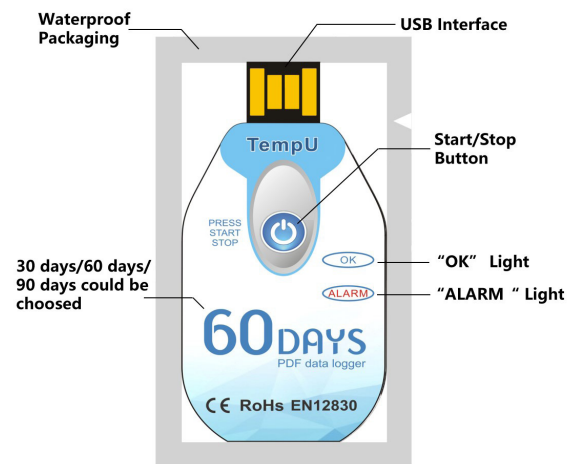


## Operating Instructions:

- Press and hold the START/STOP button for approximately 3 seconds.  
The "OK" light will illuminate to indicate the recorder has been successfully started.
- Place the data logger into the location to be monitored. Recording will begin 30 minutes after the device has been started.
- If there has been no temperature excursion, the OK light will flash green every 10 seconds. If a temperature excursion has occurred (temperature lower than 2°C and/or greater than 8°C), the ALARM light will flash red every 10 seconds.
- To stop recording, press and hold the Start/Stop button for 3 seconds. The ALARM light will illuminate to indicate a successful stopping.
- To generate a trip report, tear or cut away the plastic bag. Be careful not to damage the device when cutting away the bag.  
Insert the logger into a PC USB port. The OK and ALARM lights will alternately flash when the PDF report is being generated.
- When the PDF report has been generated, the OK light will illuminate until the logger is removed from the USB port.



## To Determine Logger Status:

Status	Action	LED Indication	
Logger Inactive	Short press of the START/STOP button once to determine if the logger is activated	ALARM and OK lights will flash once at the same time	
Logger Stopped	Short press of the START/STOP button	OK light will flash – temperature within range ALARM light will flash – temperature out of range	
	No button press	Neither ALARM nor OK lights will flash	
Logger Active	N/A	OK light will flash every 10 seconds if the temperature has remained in range  ALARM light will flash if temperature alarm has been experienced	
START/STOP		LED Indication	Note
Press START / STOP button and hold approximately 3 seconds		OK light will illuminate	Data logger started
When logger is running, press the START/STOP button and hold approximately 3 seconds		ALARM light will illuminate	Data logger stopped

## NOTES:

- Temperature alarms are preset for <2°C and >8°C
- Make sure that the data logger has been started before placing it into the environment to be monitored.
- Do not place the data logger directly into a corrosive liquid.
- Do not microwave or expose to excessive heat.
- Do not attempt to change or charge the battery.
- Dispose of the logger in accordance with local laws and regulations.